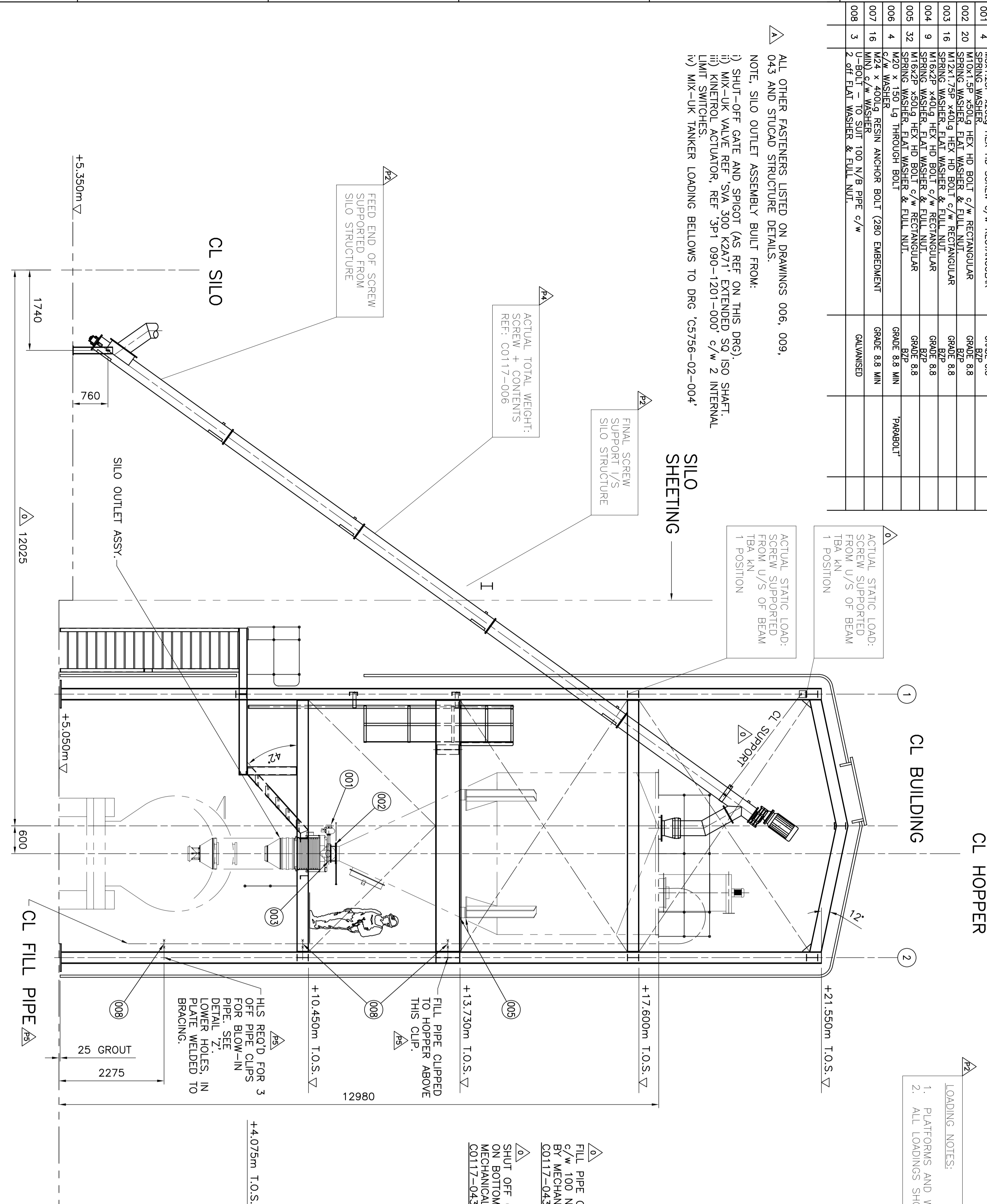


ITEM QTY	DESCRIPTION	MATERIAL	DRAWING / REF / RB	WF
001	MKA 1250 x 2000 HEX HD SCREW C/W	REGULAR	GRADE 8.8	
002	SPRING WASHER HEX HD SCREW C/W	REGULAR	GRADE 8.8	
003	MKA 20 x 1500 HEX HD BOLT C/W	REGULAR	GRADE 8.8	
004	MKA 20 x 1500 HEX HD BOLT C/W	REGULAR	GRADE 8.8	
005	SPRING WASHER FLAT WASHER & ELL NUT	GRADE 8.8		
006	MKA x 4000 RESIN ANCHOR BOLT (280 EMBEDMENT)	GRADE 8.8 MN		
007	MKA x 4000 RESIN ANCHOR BOLT (280 EMBEDMENT)	GRADE 8.8 MN		
008	2.0mm FLAT WASHER & FULL NUT	CALVANISED		

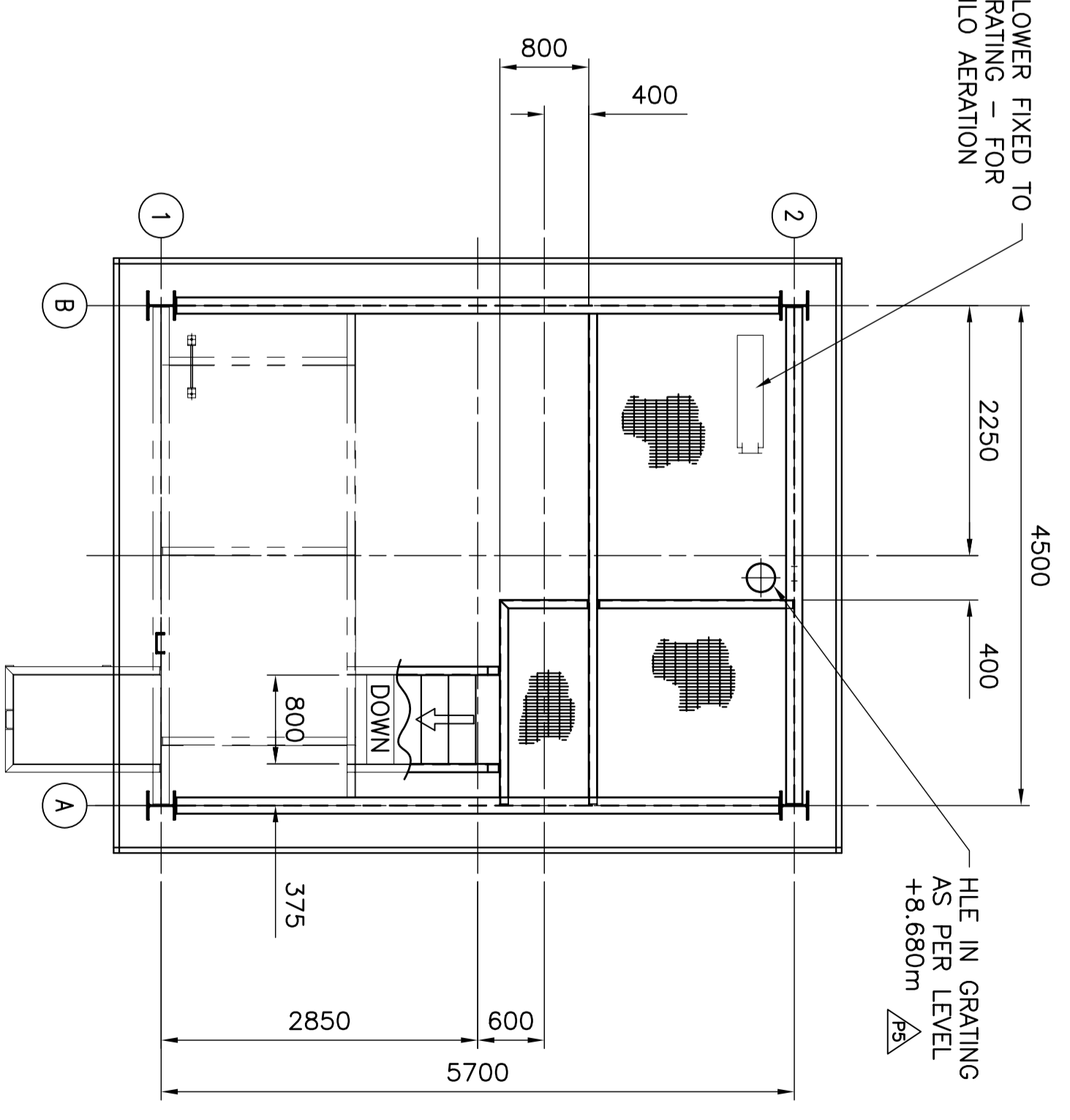
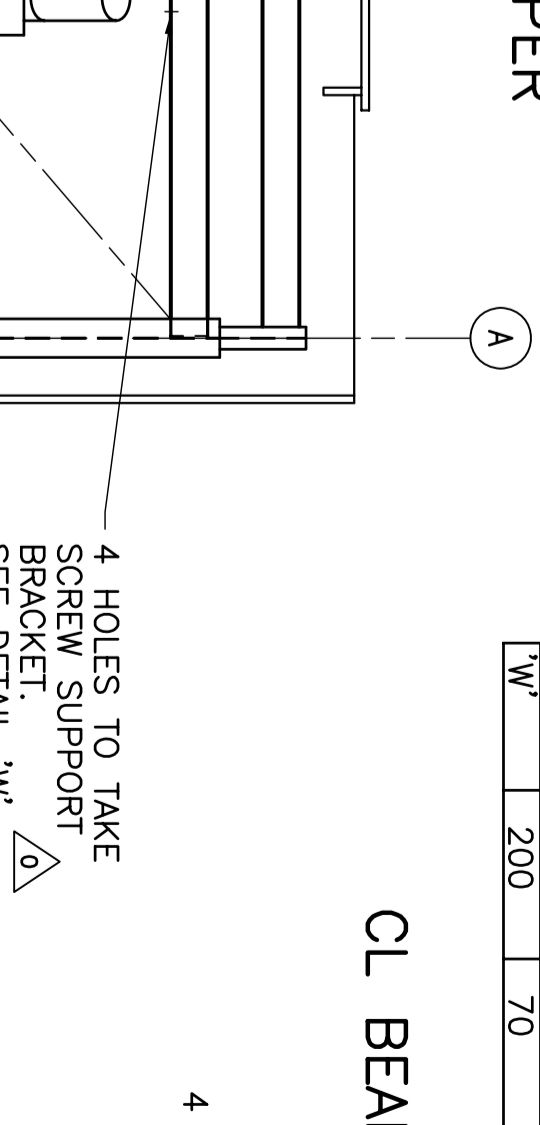
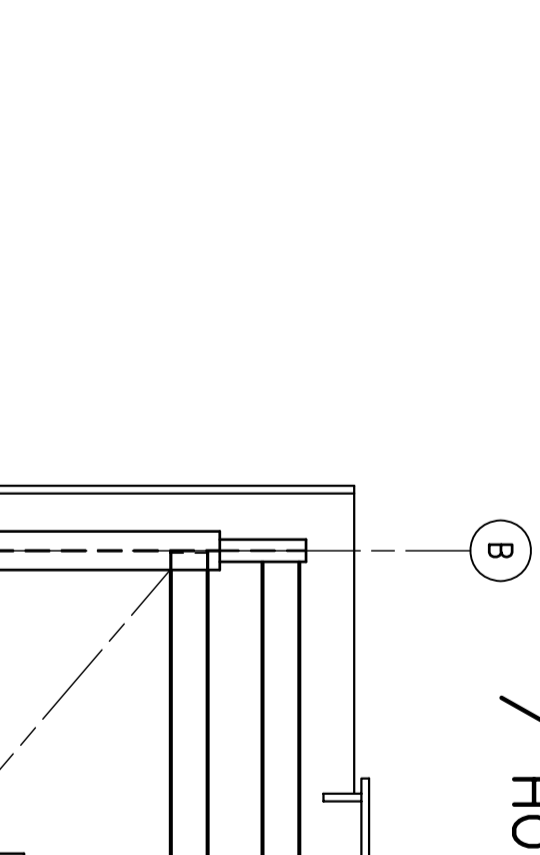
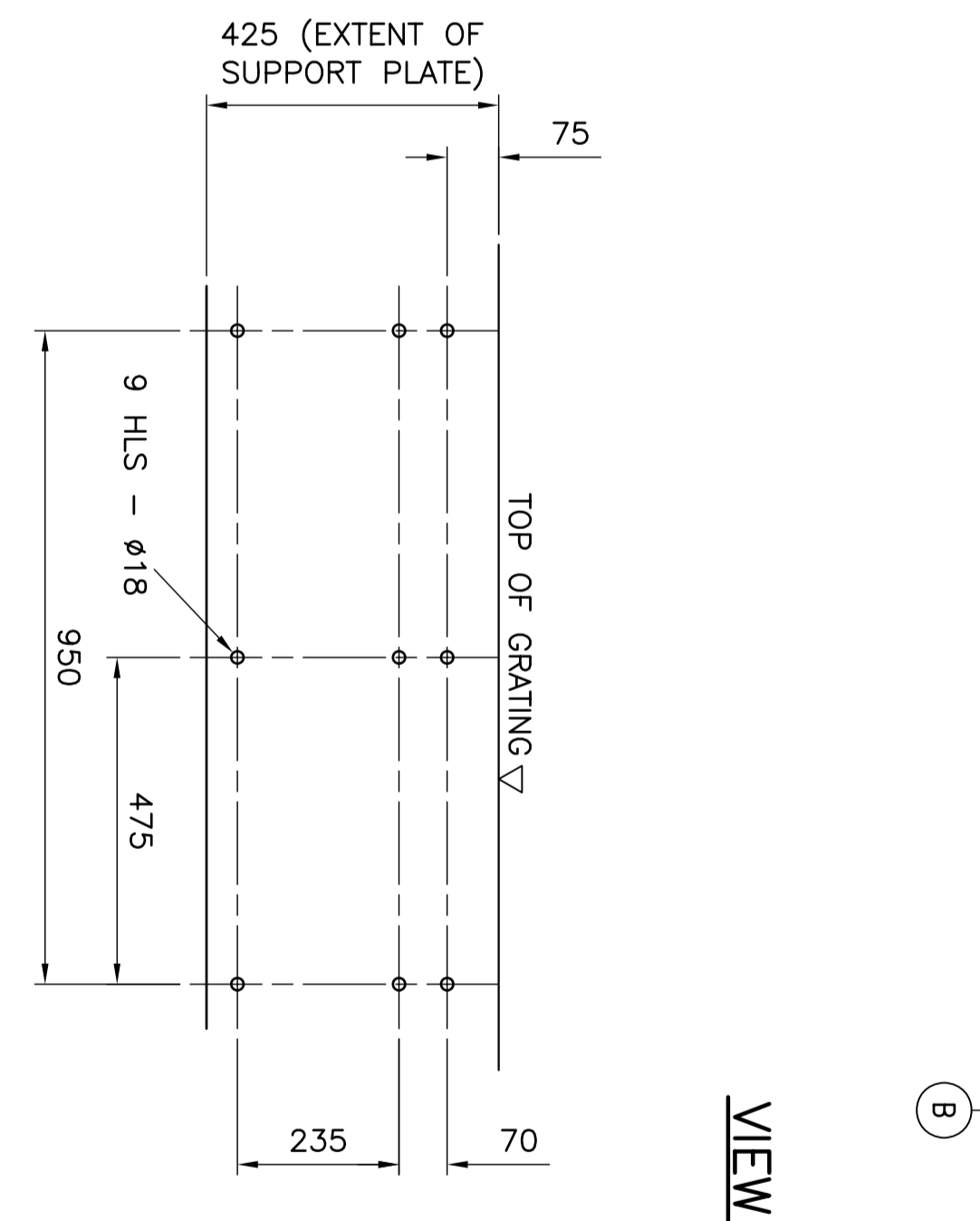
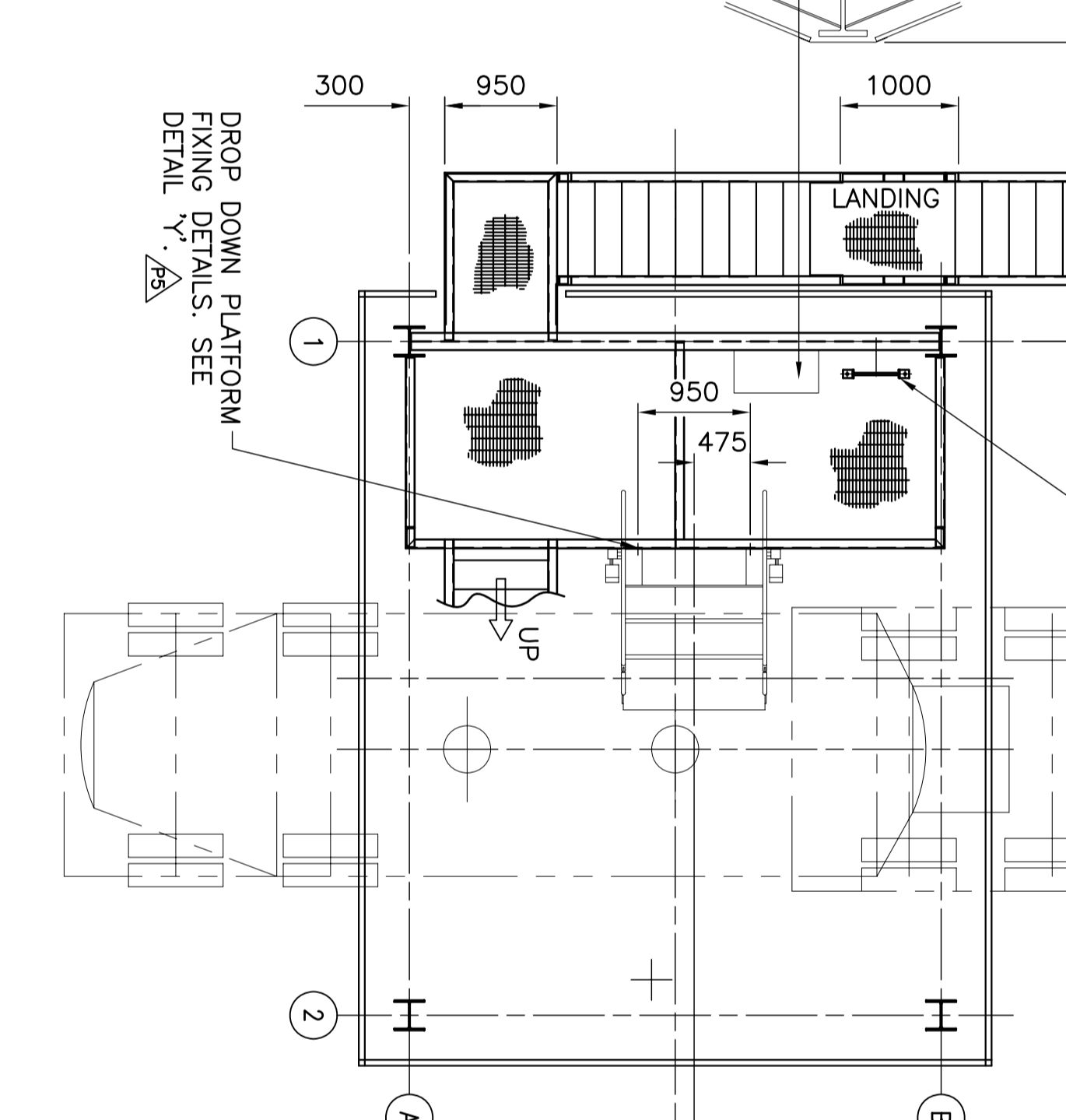
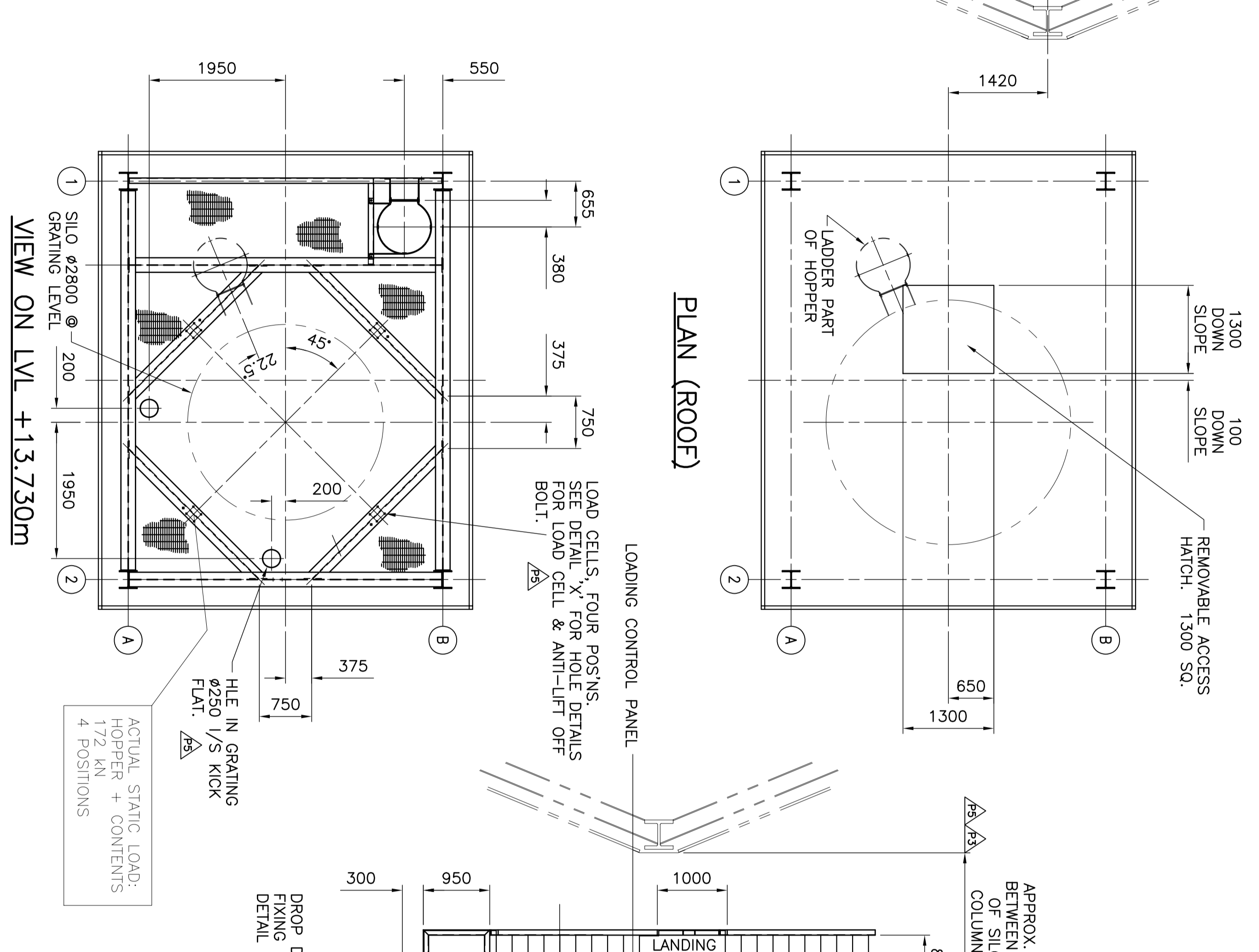
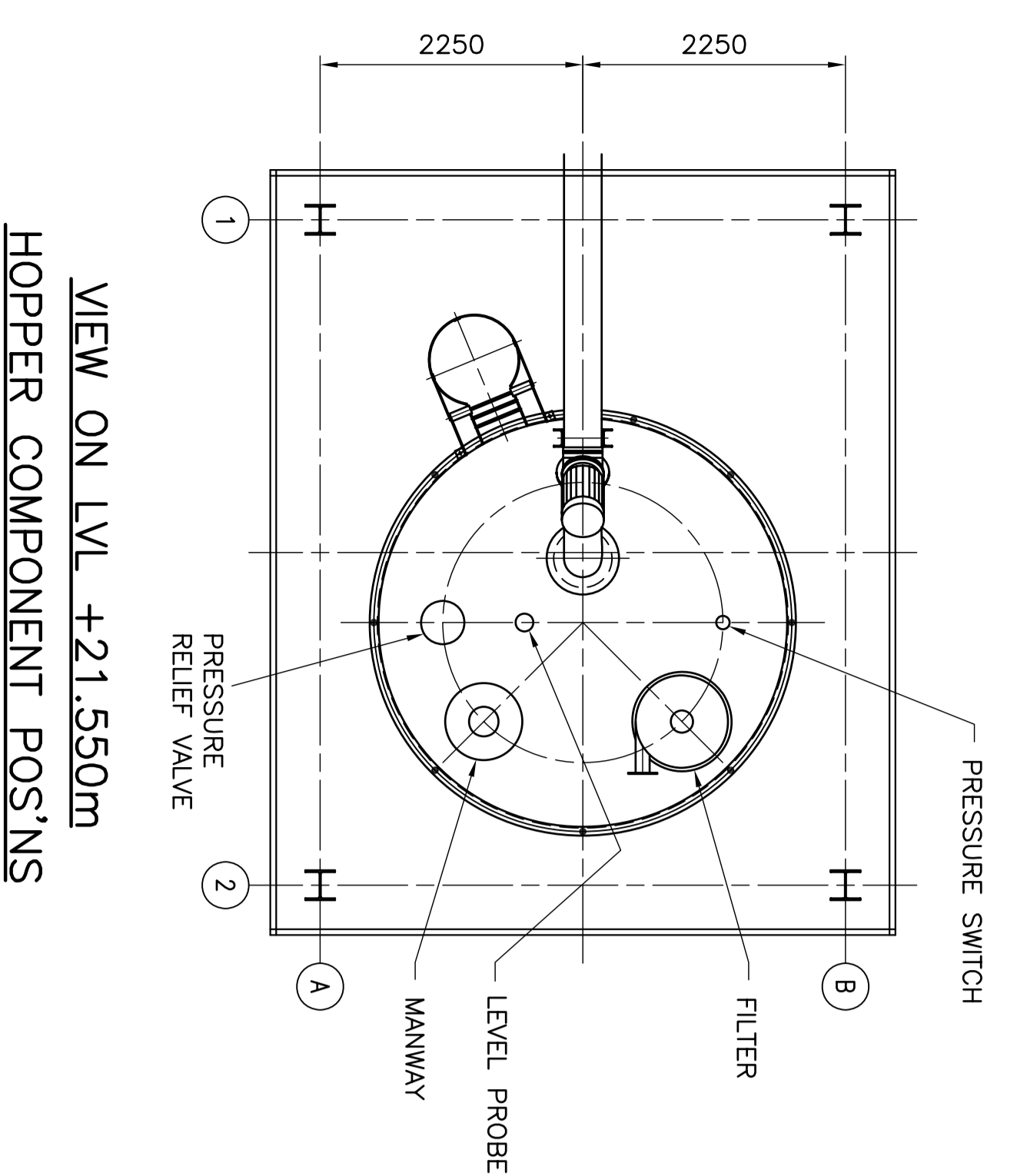
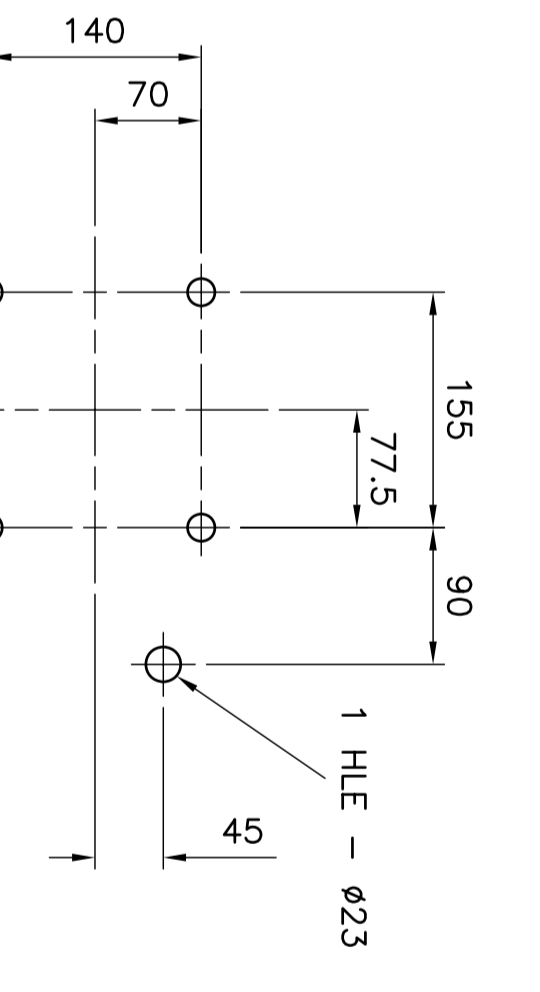
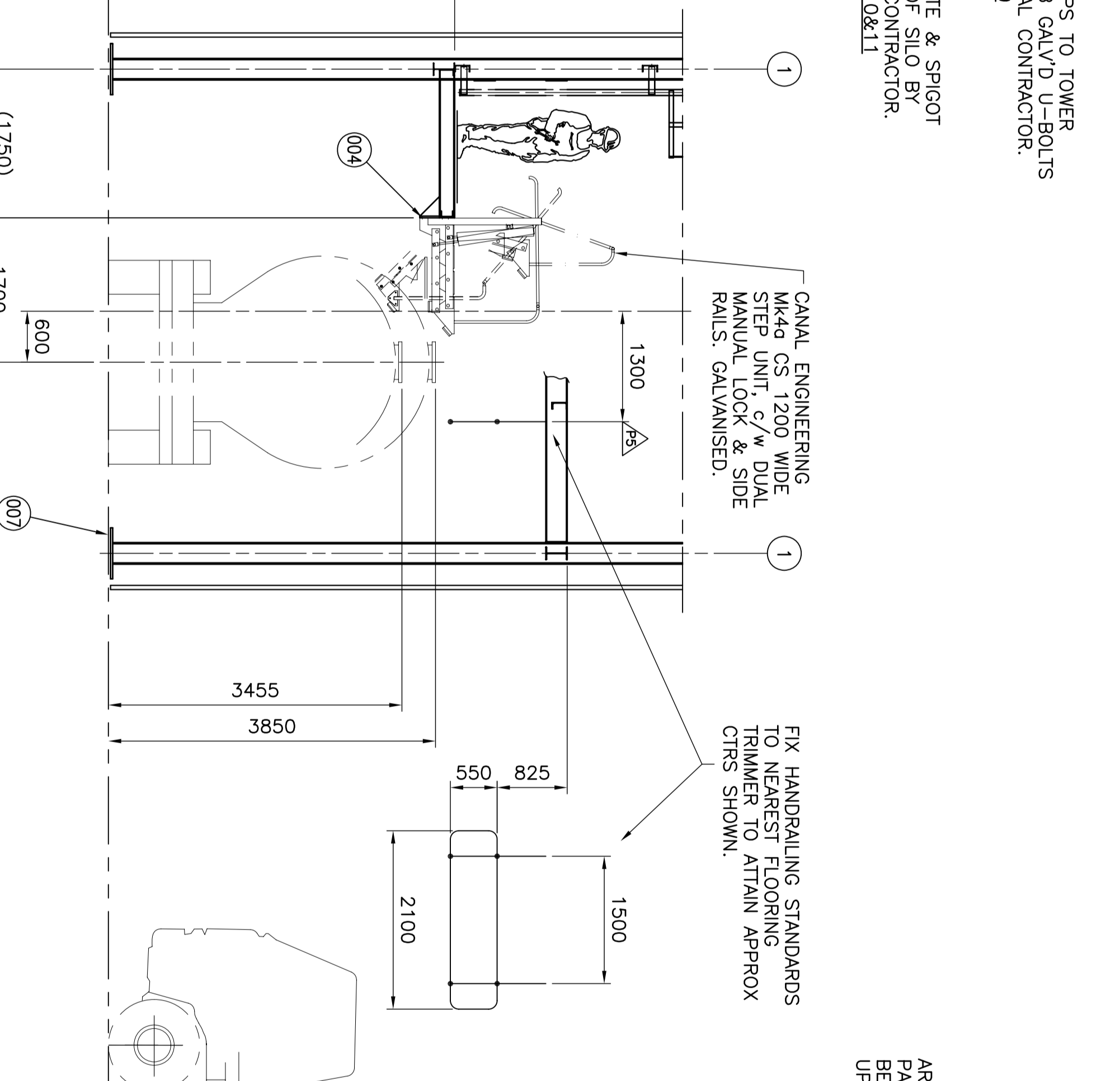
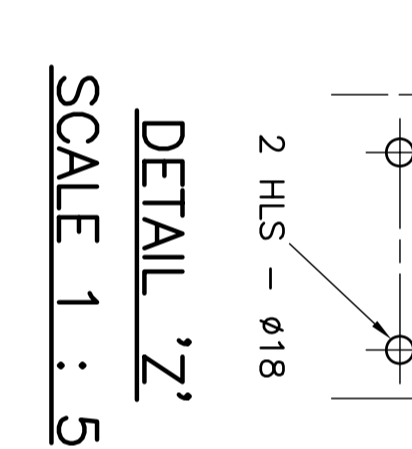
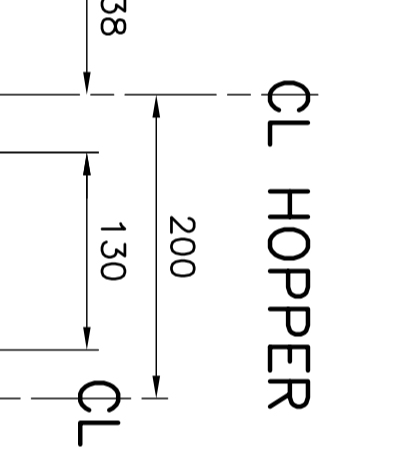
ALL OTHER FASTENERS LISTED ON DRAWINGS 006, 009.

NOTE: SILO OUTLET ASSEMBLY BUILT FROM:

- (1) SHUT-OFF GATE AND SPICOT (AS PER ON THIS DRG)
- (2) MIX-LIK VALVE REF: SA-300 (K227) EXTENDED 50/50 SHAFT
- (3) KINETROL ACTUATOR REF: 3P1 090-1201-000 C/W 2 INTERNAL LIMIT SWITCHES
- (4) MIX-LIK TANKER LOADING BELLOWS TO DRG: C3756-02-004



- LOADING NOTES:
1. PLATFORMS AND WALKWAYS DESIGNED FOR 50kN/m²
 2. ALL LOADINGS SHOWN ARE ACTUAL, i.e. E. of S. RECID.



ISSUED FOR WEBSITE

REV	DATE	DESCRIPTION	INTL	CHRD

EDS ELWIS DESIGN SERVICES LTD
 Unit 5 Calver Works, Calver,
 Hope Valley, Derbyshire, S32 3XD
 Tel: 01433 693990 Fax: 01433 693980
 General email: info@elwisdesign.co.uk

DRAWING TITLE: CLIENT / PROJECT TITLE:

DRAWING NO: **C0117-005**

DRAWN: DATE: CHRD: DATE: SCALE: 1:10